



RICATECH RR700
Jukebox



USER MANUAL

GEBRUIKERSHANDLEIDING

MODE D'EMPLOI

BEDIENUNGSANLEITUNG



The Lighting flash with an arrowhead symbol, within the equilateral triangle, is intended to alert the user to the presence of uninsulated "dangerous voltage" within the product's enclosure that may be of sufficient magnitude to cause an electric shock.

The exclamation point within the equilateral triangle is intended to alert the user to the presence of important operating and maintenance (servicing) instructions in this owner manual.

WARNING: TO REDUCE THE RISK OF ELECTRIC SHOCK,
DO NOT REMOVE COVER (OR BACK).
NO USER-SERVICEABLE PARTS INSIDE.
REFER SERVICING TO QUALIFIED SERVICE PERSONNEL.

WARNING: TO PREVENT FIRE OR SHOCK HAZARD,
DO NOT EXPOSE THIS APPLIANCE TO RAIN OR MOISTURE.

CAUTION: TO PREVENT ELECTRIC SHOCK,
MATCH WIDE BLADE OF PLUG TO WIDE SLOT,
FULLY INSERT. (USA AND CANADA ONLY)

On Placement

- Do not use the unit in places which are extremely hot, cold, dusty, or humid.
- Place the unit on a flat and even surface.
- Do not restrict the airflow of the unit by placing it in a place with poor airflow, by covering it with a cloth.

FCC Information

This device complies with Part 15 of FCC Rules. **(USA VERSION ONLY)**

Operation is subject to the following two conditions:

- (1) This device may not cause harmful interference, and
- (2) This device must accept any interference received, including interference that may cause undesirable operation.

On Safety

- When connecting or disconnecting the AC cord, grip the plug and not the cord itself. Pulling the cord may damage it and create a hazard.
- When you are not going to use the unit for a long period of time, disconnect the AC power cord.

On Condensation

- When left in a heated room where it is warm and damp, water droplets or condensation may form inside the unit. When there is condensation inside the unit, the unit may not function normally. Let the unit stand for 1 to 2 hours before turning the power on, or gradually heat the room up and dry the unit before use.

WARNING:

- Should any trouble occur, disconnect the AC power cord and refer servicing to a qualified technician.**
- **Do not place anything directly on the top of the unit. Damage to the unit can result.**

LASER SAFETY

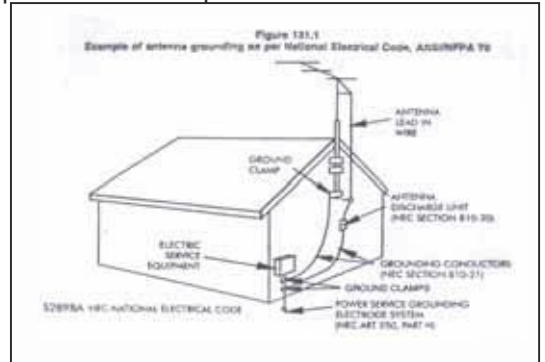
THIS UNIT EMPLOYS A LASER.

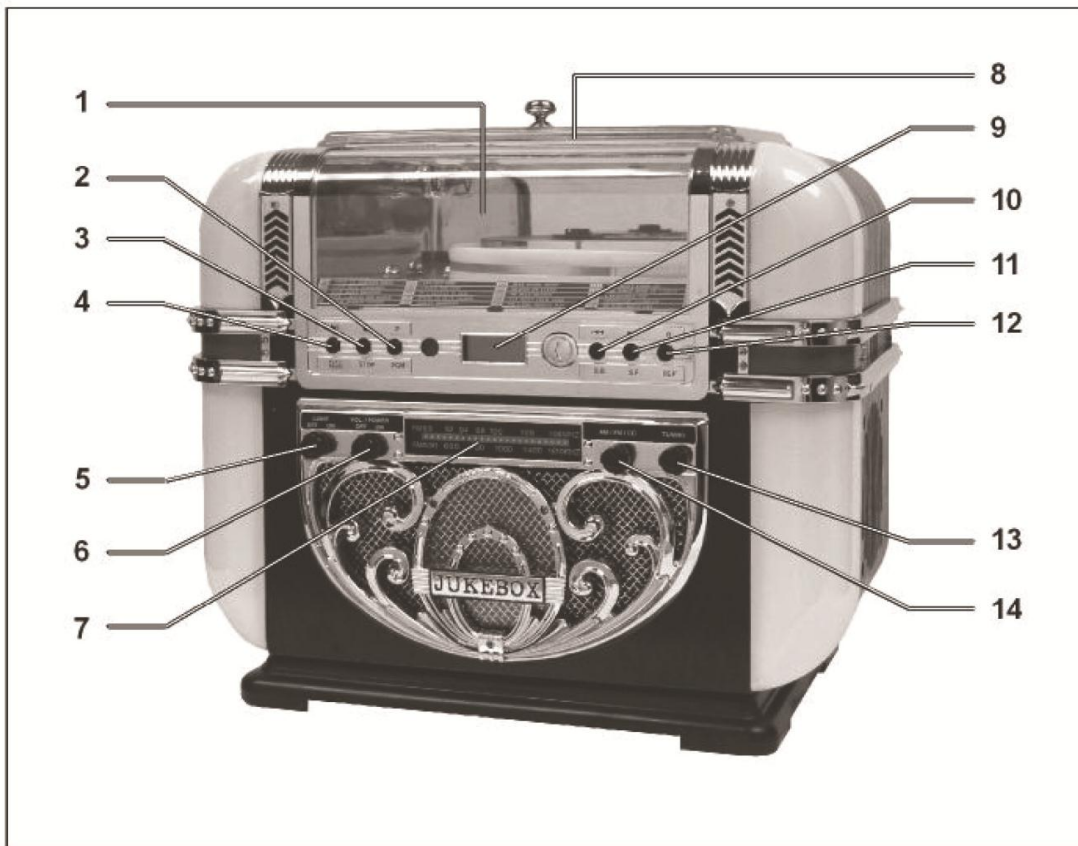
ONLY QUALIFIED SERVICE PERSONNEL SHOULD OPEN THE COVER IN ATTEMPT TO SERVICE THIS DEVICE DUE TO POSSIBLE EYE INJURY.

CAUTION: USE OF ANY CONTROLS, ADJUSTMENTS, OR PROCEDURES OTHER THAN THOSE SPECIFIED HEREIN MAY RESULT IN HAZARDOUS RADIATION EXPOSURE.

IMPORTANT SAFETY INSTRUCTIONS

1. Read Instructions – All the safety and operating instructions should be read before the product is operated.
2. Retain Instructions – The safety and operating instructions should be retained for future reference.
3. Heed Warnings – All warnings on the product and in the operating instructions should be adhered to.
4. Follow Instructions – All operating and user instructions should be followed.
5. Cleaning – Unplug the product from the wall outlet before cleaning. Do not use liquid cleaners or aerosol cleaners. Use a damp cloth for cleaning.
6. Attachments – Do not use attachments not recommended by the product manufacturer as they may cause hazards.
7. Water and Moisture – Do not use the product near water – for example, near a bath tub, wash bowl, kitchen sink, or laundry tub; in wet basement; or near a swimming pool; and the like.
8. Accessories – Do not place this product on an unstable cart, stand, tripod, bracket or table. The product may fall, causing serious injury to a child or adult and serious damage to the product. Use only with a cart, stand, tripod, bracket or table recommended by the manufacturer or sold with the product. Any mounting of the product should follow the manufacturer's instructions, and should use a mounting accessory recommended by the manufacturer.
9. A product and cart combination should be moved with care; quick stops, excessive force and uneven surface may cause the product and cart combination to overturn.
10. Ventilation – Slots and openings in the cabinet are provided for ventilation and to ensure reliable operation of the product and to protect it from overheating. These openings must not be blocked or covered. The openings should never be blocked by placing the product on a bed, sofa, rug, or other similar surface. This product should not be placed in a built-in installation such as a bookcase or rack unless proper ventilation is provided or the manufacturer's instructions have been adhered to.
11. Power Sources – This product should be operated only from the type of power source indicated on the marking label. If you are not sure of the type of power supply to your home, consult your product dealer or local power company. For products intended to operate from battery power, or other sources, refer to the operating instructions.
12. Grounding or Polarization – This product may be equipped with a polarized alternating-current line plug (a plug having one blade wider than the other). This plug will fit into the power outlet only one way. This is a safety feature; if you are unable to insert the plug fully into the outlet, try reversing the plug. If the plug should still fail to fit, contact your electrician to replace your obsolete outlet. Do not defeat the safety purpose of the polarized plug. (FOR USA OR CANADA ONLY)
13. Power-Cord Protection – Power-supply cord should be routed so that they are not likely to be walked on or pinched by items placed upon or against them, paying particular attention to cord at plugs, convenience receptacles and the point where they exit from the product.
14. Protective Attachment Plug – The product is equipped with an attachment plug having overload protection. This is a safety feature. See Instruction Manual for replacement or resetting or protective device. If replacement of the plug is required, be sure the service technician has used a replacement plug specified by the manufacturer that has the same overload protection as the original plug.
15. Outdoor Antenna Grounding – If an outside antenna or cable system is connected to the product, be sure the antenna or cable system is grounded so as to provide some protection against voltage surges and built-up static charges. Article S10 of National Electrical Code, ANSI/NFPA 70, provides information with regard to proper grounding of the mast and supporting structure, grounding of the lead-in wire to an antenna discharge unit, size of grounding conductors, location of antenna-discharge unit, connection to grounding electrodes and requirements for the grounding electrode. See Figure 131.1.
16. Lightning – For added protection for this product during a lightning storm or when it is left unattended and unused for a long period of time, unplug it from the wall outlet and disconnect the antenna or cable system. This will prevent damage to the product due to lightning and power-line surges.
17. Power Lines – An outside antenna system should not be located in the vicinity of overhead power lines or other electric light or power circuits, or where it can fall into such power lines or circuits. When installing an outside antenna system, extreme care should be taken to keep from touching such power lines or circuits, as contact with them might be fatal.
18. Overloading – Do not overload wall outlets, extension cords, or integral convenience receptacles as this can result in a risk of fire or electric shock.
19. Object and liquid Entry – Never push objects of any kind into this product through openings as they may touch dangerous voltage points or short-out parts that could result in a fire or electric shock. Never spill liquid of any kind on the product.
20. Servicing – Do not attempt to service this product yourself as opening or removing covers may expose you to dangerous voltage or other hazards. Refer all servicing to qualified service personnel.
21. Damage Requiring Service – Unplug this product from the wall outlet and refer servicing to qualified service personnel under the following conditions:
 - a) When the power-supply cord or plug is damaged.
 - b) If liquid has been spilled or objects have fallen into the product,
 - c) If the product has been exposed to rain or water,
 - d) If the product does not operate normally by following the operating instructions, adjust only those controls that are covered by the operating instructions as an improper adjustment of other controls may result in damage and will often require extensive work by a qualified technician to restore the product to its normal operation.
 - e) If the product has been dropped or damaged in any way, and
 - f) When the product exhibits a distinct change in performance – this indicates a need for service.
22. Replacement Parts – When replacement parts are required, be sure the service technician has used replacement parts specified by the manufacturer or have the same characteristics as the original part. Unauthorized substitutions may result in fire, electric shock, or other hazards.
23. Safety Check – Upon completion of any service or repairs to this product, ask the service technician to perform safety checks to determine that the product is in proper operating condition.
24. Wall or Ceiling Mounting – The product should be mounted to a wall or ceiling only as recommended by the manufacturer.
25. Heat – The product should be situated away from heat sources such as radiators, heat registers, stoves, or other products (including amplifiers) that produce heat.





- 2. Program
- 3. Stop button
- 4. Play button
- 5. Light Switch Knob
- 6. Volume / Power knob
- 7. Tuning Dial

- 9. Display
- 10. (S.B.) Skip Backward button
- 11. (S.F.) Skip Forward button
- 12. REPEAT
- 13. TUNING knob
- 14. Mode Selector

BASIC OPERATIONS

1. Turn the VOLUME/POWER switch knob clockwise to turn the power on.
2. Open the CD DOOR on the top of unit to insert a disc onto the DISC TRAY then close the CD DOOR. *(Make sure the CD DOOR is closed properly.)
3. Rotate the mode selector to CD.
4. Adjust listening level with volume knob.
5. Press S.F. (SKIP FORWARD) to skip ahead to next track.
6. Press S.B. (SKIP BACKWARD) to skip back to previous track.
7. Press PLAY/PAUSE button to play disc, press twice to temporarily stop disc play at the current play position, Press the button again to resume disc play from the pause mode.
8. Press STOP button to stop playing disc.

NOTES

- ***If the disc is seriously scratched, too dirty, disc play may not start.***
- ***If an improperly centered disc is played, noise can be heard in the mechanism. The use of such discs should be avoided.***
- ***Do not tilt the unit with discs loaded. Doing so may cause malfunctions.***

REPEAT DISC PLAY

1. Press REP button once to repeat disc play of one track.
2. Press REP button twice to repeat disc play all the tracks.
3. Pressing once more turns off repeat mode.

PROGRAMMED DISC PLAY

1. Press the STOP button.
2. Press the PGM button.
3. Select a track number then press PGM button again.
4. Repeat step 3 until all the desired tracks are programmed.
5. Press PLAY/PAUSE button to play disc.

TO LISTEN TO THE RADIO

1. Set the MODE selector to FM or AM
2. Adjust the sound with the VOLUME/POWER knob.
3. Tune to the desired radio station by using the TUNING knob.
4. To turn off the radio, rotate the VOLUME/POWER switch knob counter-clockwise until you hear a click sound.

LIGHT OPERATION

1. Rotate the LIGHT knob clockwise to switch on all lights.
2. To switch off lights, rotate the LIGHT knob counter-clockwise.

LIGHT MODE - LOCATED AT THE BACK COVER (IF EQUIPPED)

The colors of the lights change over time on both side of light pillar, switch to HOLD position to remain static to your favorite color. Switch to PLAY position to resume

NOTE: The changing color sequences of lights are controlled by IC. It is normal that the lights may turn off when the light mode is in HOLD position.

AUXILIARY JACK CONNECTION “AUX IN” (IF EQUIPPED)

1. Connect your own device (i.e. MP3 player or IPOD) to the “**AUX IN**” socket (located at the back of unit) with stereo plug and detachable rack (packed separately).
2. Adjust the **ON / OFF** switch next to the jack to the ‘**ON**’ position.
3. Rotate the mode selector to “**CD-AUX**”.
4. Adjust the sound with the VOLUME knob or the volume control of the device.
5. When changed to another mode, the device will continue to play with no sound until the ON / OFF switch is adjusted to the ‘**OFF**’ position and the device is switched off.

IMPORTANT NOTE:

1. When not using the auxiliary jack, adjust the **ON / OFF** switch to the ‘**OFF**’ position. The CD function will resume to normal only after the **ON / OFF** switch is adjusted to ‘**OFF**’ position.

TROUBLESHOOTING GUIDE

The following checks will assist in the correction of most problems that you may encounter with your set. Before going through the checklist below, first check the following points.

***The power cord must be connected firmly.*

Should any problem persist after you have made these checks consult your nearest friendly dealer.

Symptom	Possible Causes (and Remedies)
Radio Reception	
No radio	The function switch is not in the correct position. Adjust the VOLUME knob. Rotate the TUNING knob to find a radio station.
CD Player Operation	
Disc play does not start.	Reload the disc with the label side up. Clean the disc.
Sound skips	Change the installation location.
Programmed disc play will not function	Press the STOP button, and then program the tracks
Light Operation	
No light	Check the light ON/OFF knob Check the light mode switch (at back cover)
General	
Unit not working	The AC power cord is not connected to an outlet. Check that the power cord is firmly connected. Turn the power button from the "OFF" position to
No sound output	Turn VOLUME clockwise.
Severe hum or noise	The TV or VTR is too close to the stereo system. Separate from the TV or VTR.

***THIS OPERATING INSTRUCTION REFLECTS THE CURRENT TECHNICAL SPECIFICATIONS AT TIME OF PRINT. WE RESERVE THE RIGHT TO CHANGE THE SPECIFICATION FOR TECHNICAL REASON WITHOUT NOTICE.

***PLEASE REFER TO THE RATING LABEL OF THE BACK COVER FOR PRODUCT SPECIFICATION.

CUSTOMER SUPPORT

You can contact the Ricatech customer service when you have a question or a problem with your Ricatech product. You can contact us by telephone and email.

Email

For customer support by email, please send an email to support@ricatech.com. Please make sure that you mention the model number and serial number of the product, mention your name & address and describe your question or problem clearly.

Telephone

For customer support by telephone, please dial +32 3 3265694. One of our service staff will be ready to serve you.

For full procedure please visit the website of Ricatech at: www.ricatech.com



De bliksemflits met pijlsymbool in de gelijkzijdige driehoek is bedoeld om de gebruiker te waarschuwen voor de aanwezigheid van ongeïsoleerde "gevaarlijke spanning" binnen de behuizing van het product dat mogelijk over voldoende omvang beschikt een elektrische schok te veroorzaken.

Het uitroepteken in de gelijkzijdige driehoek is bedoeld om de gebruiker te waarschuwen voor de aanwezigheid van belangrijke instructies betreffende bediening en onderhoud (service) in deze gebruikershandleiding.

ATTENTIE: VERWIJDER NOOIT DE BEHUIZING (OF ACHTERKANT). DIT OM HET GEVAAR VOOR EEN ELEKTRISCHE SCHOK ZO KLEIN MOGELIJK TE HOUDEN. GEEN ENKEL ONDERDEEL IN HET APPARAAT KAN DOOR DE GEBRUIKER WORDEN ONDERHOUDEN. LAAT ONDERHOUD AAN GEKWALIFICEERD ONDERHOUDSPERSONEEL OVER.

ATTENTIE: STEL DIT APPARAAT NIET BLOOT AAN REGEN OF VOCHT. DIT OM GEVAAR VOOR EEN SCHOK TE VOORKOMEN.

LET OP: LAAT HET BREDE BLAD VAN DE STEKKER OVEREENKOMEN MET EEN BREDE SLEUF, VOLLEDIG INGESTOKEN. DIT OM EEN ELEKTRISCHE SCHOK TE VOORKOMEN (ALLEEN VOOR USA EN CANADA)

Over de plaatsing

- Gebruik het apparaat niet op plaatsen waar het extreem heet, koud, stoffig of vochtig is.
- Plaats het apparaat op een glad en egaal oppervlak.
- Zorg dat de luchtstroom van het apparaat niet wordt beperkt door het in een ruimte te plaatsen waar weinig luchtstroom is of door het af te dekken met een doek.

FCC informatie

Dit apparaat voldoet aan deel 15 van het FCC reglement. **(ALLEEN USA VERSIE)**

Het gebruik is onderhevig aan de volgende twee omstandigheden:

- (1) Dit apparaat mag geen hinderlijke interferentie veroorzaken, en
- (2) Dit apparaat moet elke ontvangen interferentie accepteren, inclusief interferentie dat ongewenst gebruik kan veroorzaken.

Over de veiligheid

- Pak bij gebruik van het netsnoer de stekker en niet het snoer vast. Aan het snoer trekken kan schade veroorzaken en gevaar opleveren.
- Indien u het apparaat voor langere tijd niet gaat gebruiken, dient u de stekker van het netsnoer uit het stopcontact te halen.

Over condensatie

- Wanneer het apparaat in een warme en vochtige kamer wordt achtergelaten, kunnen zich waterdruppels of condensatie aan de binnenkant van het apparaat vormen. Bij condensatie in het apparaat functioneert het apparaat mogelijk niet normaal. Laat het apparaat 1 tot 2 uur staan voordat deze wordt ingeschakeld of warm de kamer geleidelijk op en droog het apparaat voor gebruik.

ATTENTIE:

Mochten zich problemen voordoen, haal dan de stekker uit het stopcontact en laat onderhoud aan een gekwalificeerd technicus over.

- **Plaats geen objecten rechtstreeks bovenop het apparaat. Er kan schade aan het apparaat ontstaan.**

LASER VEILIGHEID

DIT APPARAAT GEBRUIKT EEN LASER.

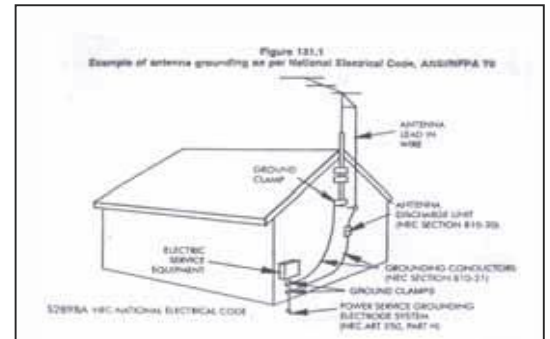
ALLEEN GEKWALIFICEERD ONDERHOUDSPERSONEEL MAG DE BEHUIZING OPENEN, IN EEN POGING OM DIT APPARAAT VANWEGE MOGELIJK OOGLETSELTE ONDERHOUDEN.

ATTENTIE: GEBRUIK VAN BESTURINGEN, AANPASSINGEN OF PROCEDURES ANDERS DAN HIERIN GESPECIFICEERD, KUNNEN BLOOTSTELLING AAN GEVAARLIJKE STRALING TOT GEVOLG HEBBEN.

NEDERLANDS - 1

BELANGRIJKE VEILIGHEIDSINSTRUCTIES

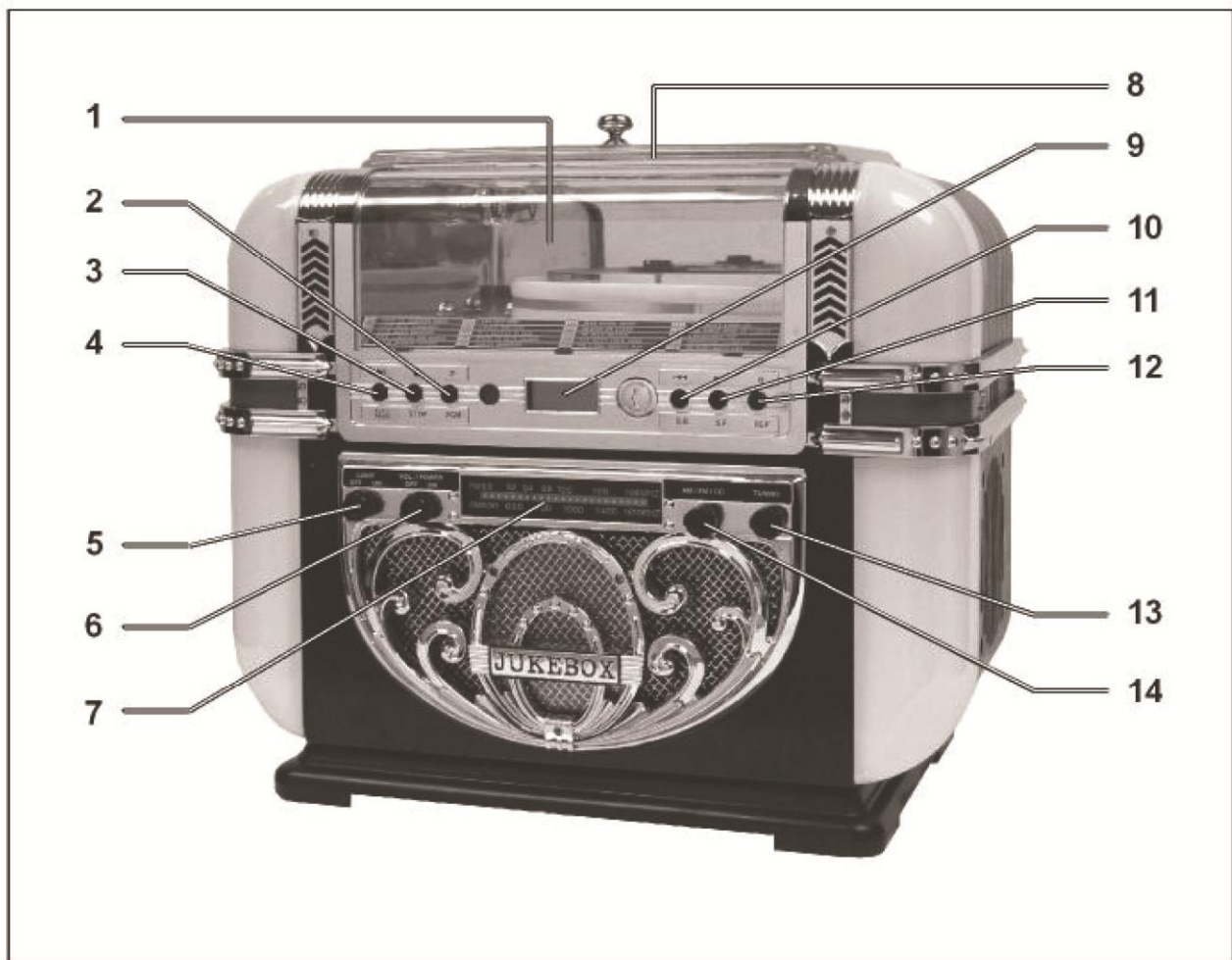
1. Leesinstructies – Alle veiligheids- en bedieningsinstructies moeten worden gelezen voordat het product in gebruik wordt genomen.
2. Bewaarinstructies – De veiligheids- en bedieningsinstructies moeten voor toekomstige referentie worden bewaard.
3. "Let op" waarschuwingen – Alle waarschuwingen op het product en in de bedieningsinstructies moeten in acht worden genomen
4. Opvolginstructies – Alle bedienings- en gebruikersinstructies moeten worden opgevolgd.
5. Reiniging – Haal de stekker van het product uit het stopcontact, voordat u het apparaat schoonmaakt. Gebruik geen vloeibare reinigers en gebruik geen sprayreinigers. Gebruik een vochtige doek om schoon te maken.
6. Toebehoren – Gebruik geen toebehoren die niet worden aanbevolen door de fabrikant. Dit kan gevaar opleveren.
7. Water en vocht – Gebruik dit product niet nabij water – bijvoorbeeld nabij een badkuip, wastafel, gootsteen of wastobbe, in een natte kelder of nabij een zwembad, e.d.
8. Accessoires – Plaats dit product niet op een onstabiele wagen, standaard, statief, console of tafel. Het product kan vallen en ernstig letsel bij kinderen en volwassenen tot gevolg hebben en ernstige schade aan het product veroorzaken. Gebruik alleen met een wagen, standaard, statief, console of tafel aanbevolen door de fabrikant of te koop bij het product. Eventuele montage van het product moet volgens de instructies van de fabrikant worden uitgevoerd en moet er gebruik worden gemaakt van een montageaccessoire dat is aanbevolen door de fabrikant.
9. Een product en wagencombinatie moeten voorzichtig worden verplaatst. Snel afremmen, buitensporig geweld en een ongelijkmatige ondergrond kunnen er voor zorgen dat het product en de wagencombinatie kantelen.
10. Ventilatie – Sleuven en openingen in de behuizing van het product dienen voor de ventilatie en betrouwbare werking van het product en beschermen het product tegen oververhitting. Deze openingen mogen niet worden geblokkeerd of bedekt. Het blokkeren van de openingen door het product op een bed, sofa, vloerkleed of ander gelijkwaardig oppervlak te plaatsen is te allen tijde verboden. Dit product mag niet in een ingebouwde constructie zoals een boekenkast of boekenrek worden geplaatst, tenzij de juiste ventilatie is toegepast of de instructies van de fabrikant zijn nageleefd.
11. Voedingsbronnen – Dit product mag alleen worden bediend met het type voedingsbron dat is aangeduid op het merklabe. Raadpleeg uw productleverancier of lokale energiebedrijf bij twijfel over de netvoeding in uw huis, Raadpleeg de bedieningsinstructies voor producten die werken op batterijen of andere bronnen.
12. Aarding en polarisatie – Dit product is mogelijk voorzien van een gepolariseerde wisselstroom lijnstekker (een stekker waarbij het ene blad breder dan het andere blad is). Deze stekker kan slechts op een manier in het stopcontact worden gestoken. Dit is een veiligheidsfunctie. Indien u de stekker niet volledig in het stopcontact kunt steken, keer de stekker om en probeer het opnieuw. Mocht de stekker nog steeds niet passen, neem dan contact op met uw elektricien om uw in onbruik geraakte stopcontact te vervangen. Neem het veiligheidsdoel van de gepolariseerde stekker voldoende in acht. (ALLEEN VOOR USA OF CANADA)
13. Netsnoerbescherming – Netsnoeren moeten worden geleid, zodat deze niet worden platgedrukt of afgeklemd doordat er items op of tegenaan worden geplaatst. Let vooral op snoeren en stekkers, stekkerdozen en het punt waar het netsnoer uit het apparaat komt.
14. Beveiligde bevestigingsstekker – Het product is voorzien van een bevestigingsstekker met een maximum beveiliging. Dit is een veiligheidsfunctie. Zie de instructiehandleiding voor vervanging of resetten of beveiligingsmiddelen. Indien vervanging van de stekker is vereist, zorg dan dat de onderhoudstechnicus een door de fabrikant gespecificeerde vervangende stekker met dezelfde maximum beveiliging als de originele stekker heeft gebruikt.
15. Aarding buitenantenne – Indien er een buitenantenne of kabelsysteem op het product is aangesloten, moet de antenne of het kabelsysteem geaard zijn, zodat het enige bescherming tegen overspanning en opgebouwde statische ladingen biedt. Artikel S10 van het de Nationale Elektrische Code, ANSI/NFPA 70, geeft informatie met betrekking tot juiste aarding van de mast en ondersteunende structuur, aarding van de invoerdraad naar een ontlaaideenheid voor een antenne, grootte van de aardgeleiders, locatie van de ontlaaideenheid van de antenne, aansluiting op de aardingelektroden en vereisten voor de aardingelektrode. Zie figuur 131.1.
16. Bliksem – Als extra bescherming van dit product dient u tijdens onweersbuien of wanneer het voor langere tijd onbewaakt en ongebruikt wordt achtergelaten de stekker uit het stopcontact te halen en de antenne of het kabelsysteem te ontkoppelen. Dit voorkomt schade aan het product als gevolg van bliksem en spanningspieken.
17. Elektriciteitsleidingen – Een buitenantennesysteem mag niet in de nabijheid van bovenliggende elektriciteitsleidingen of andere elektrische licht- of voedingscircuits worden geplaatst of waar het op dergelijke elektriciteitsleidingen of circuits kan vallen. Bij het installeren van een buitenantenne moet uiterste zorgvuldigheid in acht worden genomen om aanraking van elektriciteitsleidingen of circuits te voorkomen. Contact met elektriciteitsleidingen kan fataal zijn.
18. Overbelasting – Zorg dat stopcontacten, verlengsnoeren of integrale stekkerdozen niet worden overbelast. Dit kan brandgevaar of een elektrische schok tot gevolg hebben.
19. Binnendringen van voorwerpen en vloeistoffen – Duw nooit voorwerpen door openingen van dit product. Hierdoor kunnen gevaarlijke spanningspunten worden geraakt of kan er kortsluiting van onderdelen ontstaan. Dit kan brand of een elektrische schok tot gevolg hebben. Mors geen enkele soort vloeistof op dit product.
20. Onderhoud – Probeer het product niet zelf te onderhouden. Door het openen en verwijderen van behuizingen kunnen blootstelling aan gevaarlijke spanning of andere gevaren zich voordoen. Laat al het onderhoud aan gekwalificeerd onderhoudspersoneel over.
21. Schade wat service behoeft – Haal de stekker van dit product uit het stopcontact en laat onder de volgende omstandigheden onderhoud aan gekwalificeerd onderhoudspersoneel over:
 - a) Indien het netsnoer of de stekker beschadigd is.
 - b) Als er vloeistof is gemorst of er zijn voorwerpen in het product gevallen.
 - c) Als het product aan regen of water blootgesteld is geweest.
 - d) Als het product na het opvolgen van de bedieningsinstructies niet normaal werkt. Pas dan alleen de besturingen aan die door de bedieningsinstructies worden gedekt. Onjuiste aanpassing van andere besturingen kan schade tot gevolg kan hebben en vereist meestal extra werk door een gekwalificeerd technicus om het product weer terug te brengen naar zijn normale bediening.
 - e) Als het product op enigerlei wijze is gevallen of beschadigd, en
 - f) Wanneer het product een duidelijke wijziging in prestaties aan de dag legt – dit duidt op behoefte aan onderhoud.
22. Vervangende onderdelen – Wanneer er vervangende onderdelen zijn vereist, dient u er zeker van te zijn dat de



onderhoudstechnicus door de fabrikant gespecificeerde onderdelen met dezelfde kenmerken als het originele onderdeel heeft gebruikt. Ongeautoriseerde vervangende onderdelen kunnen brand, een elektrische schok of andere gevaren tot gevolg hebben.

23. Veiligheidscontrole – Vraag, na afloop van elke onderhoudsbeurt of reparaties aan dit product, de onderhoudstechnicus een veiligheidscontrole uit te voeren om te bepalen of het product de juiste bedieningsstaat verkeert.
24. Muur- of plafondmontage – Het product mag alleen op aanbeveling van de fabrikant aan de muur of aan het plafond worden bevestigd.
25. Warmte – Het product mag niet in de nabijheid van warmtebronnen zoals radiatoren, warmteluchtroosters, fornuizen of andere producten (inclusief versterkers) worden geplaatst.

NEDERLANDS - 2



LOCATIE VAN BESTURINGEN

- | | |
|------------------------|--------------------------------------|
| 1. Disklade | 8. CD-deur |
| 2. Programmeren | 9. Display |
| 3. Stop knop | 10. (A.O..) Achteruit overslaan knop |
| 4. Play knop | 11. (V.O..) Vooruit overslaan knop |
| 5. Lichtschakelaarknop | 12. HERHALEN |
| 6. Volume/aan-uitknop | 13. Zenderknop |
| 7. Zenderschaal | 14. Keuzeknop |

BASISFUNCTIES

1. Draai de VOLUM/POWER knop naar rechts om het apparaat in te schakelen.
2. Open de CD DOOR bovenop het apparaat om een disk in de DISC TRAY te plaatsen en sluit vervolgens de CD DOOR. *(Zorg dat de CD DOOR goed gesloten is.)
3. Draai de keuzeknop naar CD.
4. Pas het luisterniveau met de volumeknop aan.
5. Druk op S.F. (SKIP FORWARD) om verder te gaan naar de volgende track.
6. Druk op S.B. (SKIP BACKWARD) om terug te gaan naar de vorige track.
7. Druk op de PLAY/PAUSE knop om een disk af te spelen. Druk tweemaal om het afspelen van de disk in de huidige afspeelpositie tijdelijk te stoppen. Druk nogmaals op de knop om het afspelen van disk vanuit de pauzestand te hervatten.
8. Druk op STOP om het afspelen van de disk te stoppen.

Opmerkingen

- ***Als de disk veel krassen bevat of te vuil is, start de disk mogelijk niet met afspelen.***
- ***Als een onjuist gecentreerde disk wordt afgespeeld, kan er ruis in het mechanisme te horen zijn. Het gebruik van zulke disks moet worden vermeden.***
- ***Til het apparaat niet op als er disks zijn geladen. Dit kan defecten veroorzaken.***

EEN DISK HERHAALD AF SPELEN

1. Druk eenmaal op de REP knop om het afspelen van één track te herhalen.
2. Druk tweemaal op de RE{ knop om het afspelen van alle tracks te herhalen.
3. Nogmaals drukken schakelt de herhaalstand uit.

GEPROMGRAMMEERD AF SPELEN VAN EEN DISK

1. Druk op de STOP knop.
2. Druk op de PGM knop.
3. Selecteer een tracknummer en druk vervolgens nogmaals op de PGM knop.
4. Herhaal stap 3 totdat alle gewenste tracks zijn geprogrammeerd.
5. Druk op de PLAY/PAUSE knop om de disk af te spelen.

OM NAAR DE RADIO TE LUISTEREN

1. Stel de MODE keuzeknop in op FM of AM
2. Pas het geluid met de VOLUME/POWER knop aan.
3. Stem met behulp van de TUNING knop af op het gewenste radiostation.
4. Draai, om de radio uit te schakelen, de VOLUME/POWER knop naar links totdat u een klikgeluid hoort.

LICHTBEDIENING

1. Draai de LIGHT knop naar rechts om alle verlichting in te schakelen.
2. Draai, om de verlichting uit te schakelen, de LIGHT knop naar links.

LICHTSTAND – BEVINDT ZICH AAN DE ACHTERKANT (INDIEN AANWEZIG)

De kleuren van de verlichting veranderen van tijd tot tijd aan beide zijden van de lichtpilaar. Schakel over naar de HOLD positie om uw favoriete kleur vast te zetten. Schakel over naar de PLAY positie om te hervatten.

OPMERKING: De kleurevolgorde van het wijzigen van de verlichting wordt bestuurd door IC. Het is normaal dat de verlichting mogelijk uitschakelt wanneer de lichtstand in de HOLD positie staat.

EXTRA STEKKERAANSLUITING “AUX IN” (INDIEN AANWEZIG)

1. Sluit uw eigen apparaat (bijv. MP3-speler of IPOD) met de stereosteekker en het afneembare rek (apart verpakt) op de “**AUX IN**” aansluiting (bevindt zich aan de achterkant van het apparaat) aan.
2. Zet de **ON / OFF** schakelaar naast de steekker in de ‘**ON**’ positie.
3. Draai de keuzeknop naar “**CD-AUX**”.
4. Pas het geluid met de VOLUME knop of met de volumebesturing van het apparaat aan.
5. Bij het overschakelen naar een andere stand zal het apparaat zonder geluid blijven afspelen totdat de ON/OFF schakelaar naar de ‘**OFF**’ positie wordt gezet. Het apparaat is nu uitgeschakeld.

BELANGRIJKE OPMERKING:

1. Wanneer u geen gebruik maakt van de extra steekker, dient u de **ON / OFF** schakelaar naar de ‘**OFF**’ positie te zetten.
- De CD-functie hervat normaal afspelen alleen nadat de **ON / OFF** schakelaar naar de ‘**OFF**’ positie is gezet.

GIDS VOOR PROBLEEMOPLOSSING

De volgende controles assisteren u bij het corrigeren van de meest voorkomende problemen van uw set. Controleer eerste de volgende punten, voordat u de onderstaande checklist doorneemt.

****Zorg dat het netsnoer stevig in het stopcontact zit.**

Mochten zich nog steeds problemen voordoen na het uitvoeren van deze controles, raadpleeg dan uw dichtstbijzijnde aardige dealer.

Symptoom	Mogelijke oorzaken (en oplossingen)
Radio-ontvangst	
Geen radio	De functieschakelaar staat niet in de juiste positie. Pas de VOLUME knop aan. Draai aan de TUNING knop om een radiostation te zoeken.
Bediening CD-speler	
Het afspelen van de disk start niet.	Herlaad de disk met het etiket naar boven gericht. Reinig de disk.
Het geluid slaat over.	Wijzig de locatie van de installatie.
Geprogrammeerd afspelen van de disk functioneert niet	Druk op de STOP knop en programmeer vervolgens de tracks
Lichtbediening	
Geen verlichting	Controleer de ON/OFF knop van de verlichting Controleer de lichtstandschakelaar (aan de achterkant)
Algemeen	
Apparaat werkt niet	Het netsnoer zit niet in het stopcontact. Controleer of het netsnoer stevig in het stopcontact zit. Zet de aan-uit knop van de "OFF" positie naar de "ON" positie
Geen geluidsuitvoer	Draai VOLUME naar rechts.
Ernstige brom of ruis	De TV of VTR staat te dicht bij het stereosysteem. Verwijder het van de TV of VTR.

***DEZE BEDIENINGSINSTRUCTIES WEERSPIEGELEN BIJ HET TER PERSE GAAN DE HUIDIGE TECHNISCHE SPECIFICATIES. WE BEHOUDEN HET RECHT OM DE SPECIFICATIE OM TECHNISCHE REDENEN ZONDER KENNISGEVING TE WIJZIGEN.

***RAADPLEEG VOOR DE PRODUCTSPECIFICATIE HET TYPEPLAATJE AAN DE ACHTERKANT.

KLANTENONDERSTEUNING

Voor vragen of een probleem met uw Ricatech product kunt u telefonisch en per email contact opnemen met de Ricatech klantenservice.

Email

Voor klantenondersteuning per email kunt u een email sturen naar support@ricatech.com. Vergeet niet het modelnummer, serienummer van het product en uw naam & adres te vermelden en beschrijf duidelijk uw vraag of probleem.

Telefoon

Bel voor telefonische klantenondersteuning naar +32 3 3265694. Onze servicemedewerkers staan klaar om u te helpen.

Bezoek de website van Ricatech voor de volledige procedure:
www.ricatech.com



Le symbole représentant un éclair avec une tête de flèche à l'intérieur d'un triangle équilatéral avertit l'utilisateur de la présence d'un "voltage dangereux" non isolé à l'intérieur du produit qui peut être d'une ampleur suffisante pour provoquer un choc électrique.

Le point d'exclamation à l'intérieur d'un triangle équilatéral avertit l'utilisateur de la présence d'instructions importantes sur l'utilisation et la maintenance (entretien) dans ce manuel d'utilisateur.

AVERTISSEMENT: POUR REDUIRE LE RISQUE DE CHOCS ELECTRIQUES, NE RETIREZ PAS LE COUVERCLE (OU LE PAN ARRIERE).

IL N'Y A AUCUNE PARTIE UTILE À L'UTILISATEUR À L'INTERIEUR. LAISSEZ L'ENTRETIEN À UN PERSONNEL QUALIFIÉ.

AVERTISSEMENT: POUR EVITER DES RISQUE D'INCENDIE OU DE CHOC ELECTRIQUE, N'EXPOSEZ PAS CET APPAREIL À LA PLUIE OU À L'HUMIDITE.

AVIS: POUR EVITER TOUT CHOC ELECTRIQUE, FAITES CORRESPONDRE LA PLUS GROSSE POINTE DE LA PRISE AVEC LA FICHE LA PLUS LARGE ET BRANCHEZ JUSQU'AU BOUT. (USA ET CANADA UNIQUEMENT)

À propos de l'emplacement

- N'utilisez pas l'appareil dans des endroits extrêmement chaud, froid, poussiéreux ou humides. Placez-le sur une surface plane et régulière.
- Ne limitez pas l'aération de l'appareil en le plaçant dans un endroit mal aéré ou en le couvrant avec un tissu.

Information sur la FCC

Cet appareil est conforme à la partie 15 des réglementations FCC. **(VERSION USA UNIQUEMENT)**

L'utilisation est soumise aux deux conditions suivantes:

- (1) Cet appareil ne doit pas créer d'interférences néfastes, et
- (2) Cet appareil doit accepter toute interférence reçue, même une interférence pouvant provoquer un fonctionnement indésirable.

À propos de la sécurité

- Lorsque vous branchez ou débranchez le cordon AC, tenez la prise et non le cordon en lui-même. Tirer directement sur le cordon pourrait l'endommager et induire un danger.
- Lorsque vous n'allez pas utiliser l'appareil pendant une longue période, débranchez le cordon d'alimentation AC.

À propos de la condensation

- Lorsque l'appareil est entreposé dans une pièce où il fait chaud et humide, de la condensation ou des gouttelettes d'eau peuvent se former à l'intérieur de celui-ci. Lorsque c'est le cas, l'appareil peut ne pas fonctionner normalement. Attendez 1 ou 2 heures avant de mettre l'appareil en route ou chauffer graduellement la pièce et séchez l'appareil avant de l'utiliser.

AVERTISSEMENT:

Si un problème quelconque devait survenir, débranchez la prise d'alimentation AC et faites appel aux services d'un technicien habilité.

Ne placez rien directement sur le haut de l'appareil. Cela pourrait l'endommager.

PRECAUSSIONS CONCERNANT LE LASER

CET APPAREIL UTILISE UN LASER.

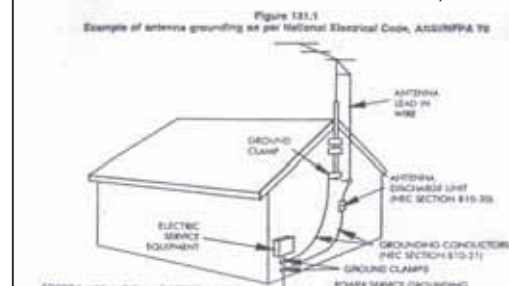
SEUL UN PERSONNEL QUALIFIÉ DEVRAIT OUVRIR LE COUVERCLE DE L'APPAREIL AFIN D'EFFECTUER DES REPARATIONS ET CE, EN RAISON DE RISQUES DE BLESSURES AUX YEUX.

**AVIS:
AUTRES
RISQUES**

L'UTILISATION DE TOUTE COMMANDE, TOUT AJUSTEMENT OU PROCEDURE QUE CELLES SPECIFIEES DANS CE MANUEL PEUT PROVOQUER DES D'EXPOSITION AUX RADIATIONS

INSTRUCTION DE SECURITE IMPORTANTES

1. Lisez les instructions – Toutes les instructions concernant la sécurité et l'utilisation doivent être lues avant l'emploi de l'appareil.
2. Gardez les instructions – Les instructions concernant la sécurité et l'utilisation doivent être gardées pour une future consultation.
3. Respectez les avertissements – Tous les avertissements sur le produit et dans les instructions d'utilisation doivent être suivis.
4. Suivez les instructions – Toutes les instructions concernant l'utilisation doivent être suivies.
5. Nettoyage – Débranchez l'appareil de la prise murale avant de le nettoyer. N'utilisez pas de produits nettoyants liquides ou aérosols. Utilisez un chiffon humide.
6. Accessoires – N'utilisez pas d'accessoires non recommandés par le fabricant, ils pourraient causer des dysfonctionnements.
7. Eau et humidité – N'utilisez pas l'appareil à proximité d'eau – par exemple, à côté d'une baignoire, d'un lavabo ou d'un évier, dans un sous-sol mouillé, près d'une piscine ou tout autre endroit de ce genre.
8. Accessoires – Ne placez pas l'appareil sur un chariot, support, trépied, étagère ou table instables. L'appareil pourrait tomber et provoquer des blessures graves sur un enfant ou un adulte ou endommager sérieusement le produit. Ne l'utilisez qu'avec un chariot, support, trépied, étagère ou table recommandés par le fabricant ou vend avec l'appareil. Toute mise de l'appareil sur un support doit se faire selon les instructions du fabricant et utilisez l'accessoire de support recommandé par celui-ci.
9. La combinaison de l'appareil avec un chariot doit être manipulée avec soin. Un arrêt brutal ou une poussée trop forte sur une surface inégale pourrait provoquer le renversement de l'appareil et du chariot.
10. Ventilation – Les fentes et ouvertures dans la vitrine sont prévues pour la ventilation, pour assurer un fonctionnement correct de l'appareil et pour le protéger d'une surchauffe. Ces ouvertures ne doivent pas être obstruées ou recouvertes. Elles ne doivent jamais être obstruées en plaçant le produit sur un lit, canapé, tapis ou toute surface similaire. Cet appareil ne devrait pas être placé dans une installation creuse tel qu'une bibliothèque ou un casier, à moins qu'une ventilation adéquate soit mise en place ou que les instructions du fabricant aient été respectées.
11. Sources d'alimentation – Cet appareil ne doit être branché qu'au type de source d'alimentation indiqué sur l'étiquette. Si vous n'êtes pas sûr du type d'alimentation fourni à votre domicile, consultez votre revendeur pour ce produit ou la compagnie d'électricité locale. Pour des appareils prévus pour fonctionner sur batterie ou d'autres sources, référez-vous aux instructions d'utilisation.
12. Mise à masse ou polarisation – Cet appareil peut être équipé d'une prise de courant alternatif détrompée (prise ayant une broche plus large que l'autre). Cette prise ne s'insère dans la fiche que dans un seul sens. C'est une mesure de sécurité : si vous ne pouvez pas insérer complètement la prise dans la fiche, essayez de retourner la prise. Si la prise n'entre toujours pas, contactez un électricien pour remplacer la fiche obsolète. Ne sous-estimez pas les raisons sécuritaires de cette prise polarisée. (POUR LES USA ET LE CANADA UNIQUEMENT)
13. Protection du cordon électrique – le cordon d'alimentation doit être dirigé de façon à ne pas risquer d'être piétiné ou pincé par des objets placés dessus ou contre celui-ci. Faites particulièrement attention aux extrémités du cordon, au niveau du réceptacle d'alimentation et de sa sortie de l'appareil.
14. Prise de protection – Cet appareil est équipé d'une prise protégée contre les surcharges. Ceci est une mesure de sécurité. Voir le manuel d'utilisation pour le remplacement ou la réinitialisation du dispositif de protection. Si le remplacement de la prise est nécessaire, assurez-vous que le technicien qui effectue le changement utilise une prise de remplacement spécifiée par le fabricant et ayant la même protection contre les surcharges que la prise d'origine.
15. Mise à masse de l'antenne extérieure – Si une antenne externe ou un système de câble est connecté à l'appareil, assurez-vous que l'antenne ou le système de câble est mis à masse afin d'assurer une protection contre les survoltages et l'accumulation d'électricité statique. L'article S10 du National Electrical Code, ANSI/NFPA 70 (Code National Electrique), fournit les informations concernant la mise à masse correcte du pylône et de la structure de support, la mise à masse du câble de terre vers un élément de décharge de l'antenne, tailles des conducteurs de masse, localisation de l'élément de décharge de l'antenne, connexion aux électrodes de masse et exigence des électrodes de masse. Voir schéma 131.1.
16. Foudre – Pour une protection supplémentaire de l'appareil lors d'un orage ou lorsque celui-ci doit rester inactif pendant une longue période, débranchez-le de la prise murale et déconnectez l'antenne et le système de câble. Cela évitera que l'appareil soit endommagé par la foudre ou un survolage.
17. Lignes électriques – Une antenne extérieure ne doit pas être placée à proximité d'une ligne électrique ou de tout autre lumière électrique ou circuit, ou à un endroit où elle peut tomber sur de telles lignes ou circuits électriques. Lorsque vous installez un système d'antenne extérieure, vous devez payer une extrême attention à ne pas toucher de telles lignes ou circuits électriques, car tout contact pourrait vous être fatal.
18. Surcharge – N'imposez pas de surcharge aux prises murales, cordons d'extension ou réceptacles d'alimentation intégraux car cela pourrait provoquer un incendie ou un choc électrique.
19. Entrée d'eau ou d'objets – Ne poussez jamais d'objets quels qu'ils soient à l'intérieur de l'appareil par ses ouvertures car ils pourraient entrer en contact avec des éléments traversés par un haut voltage ou provoquer un court-circuit qui pourrait entraîner un incendie ou un choc électrique. Ne jamais verser un quelconque liquide sur l'appareil.
20. Entretien – N'essayez pas de procéder à l'entretien de l'appareil vous-même car retirer ou ouvrir les éléments de façade peut vous exposer à des voltages dangereux ou autres dangers. Faites appel à un personnel qualifié pour tout entretien.
21. Dommage nécessitant l'entretien – Débranchez l'appareil de la prise murale et faites appel à un personnel qualifié dans les conditions suivantes :
 - a) Lorsque le cordon d'alimentation ou la prise est endommagé.
 - b) Si du liquide a été répandu ou si un objet est tombé dans l'appareil.
 - c) Si l'appareil a été exposé à la pluie ou à de l'eau.
 - d) Si l'appareil ne fonctionne pas normalement lorsque vous suivez les instructions d'utilisation, ajustez uniquement les manœuvres qui sont détaillées dans le manuel d'utilisation car tout ajustement incorrect d'autres manœuvres pourrait endommager l'appareil et nécessitera beaucoup de travail de la part d'un technicien qualifié pour la remise en bon fonctionnement de l'appareil.

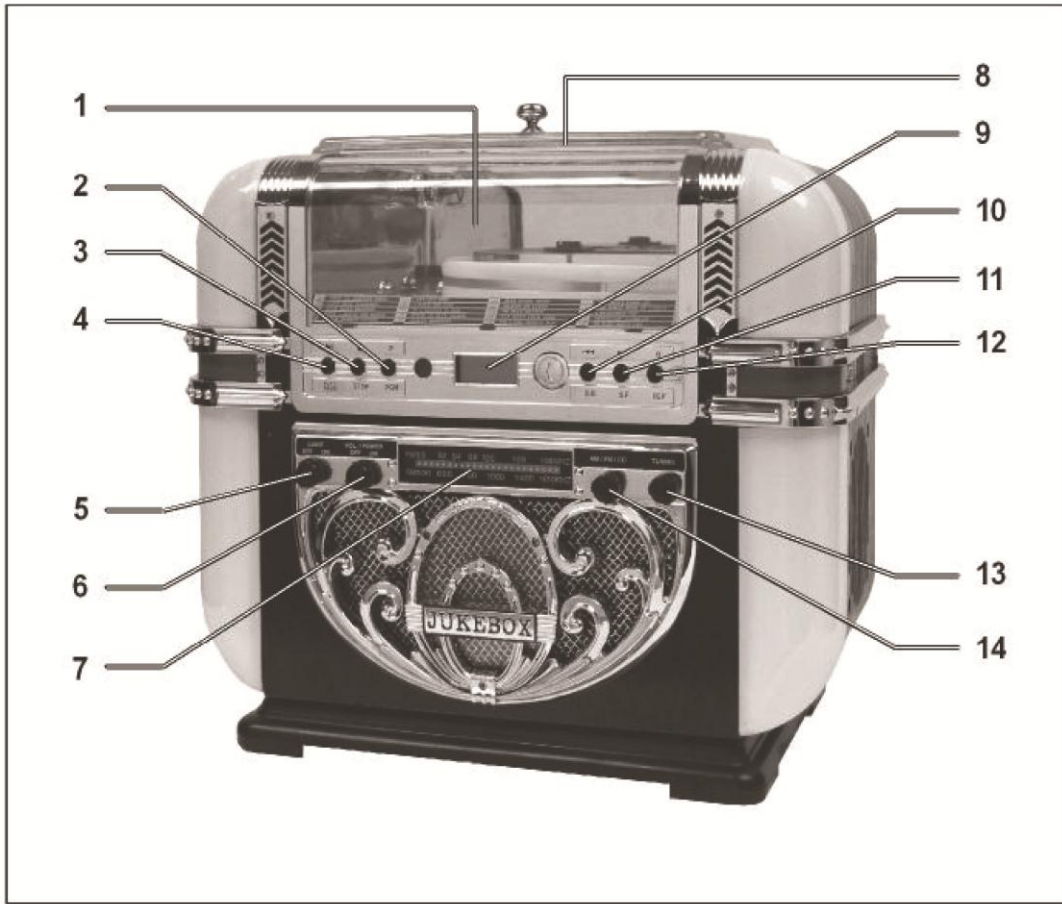


- e) Si l'appareil est tombé ou a été endommagé d'un quelconque manière, et
- f) Lorsque l'appareil montre un changement net dans son fonctionnement – ceci indique une nécessité d'entretien.

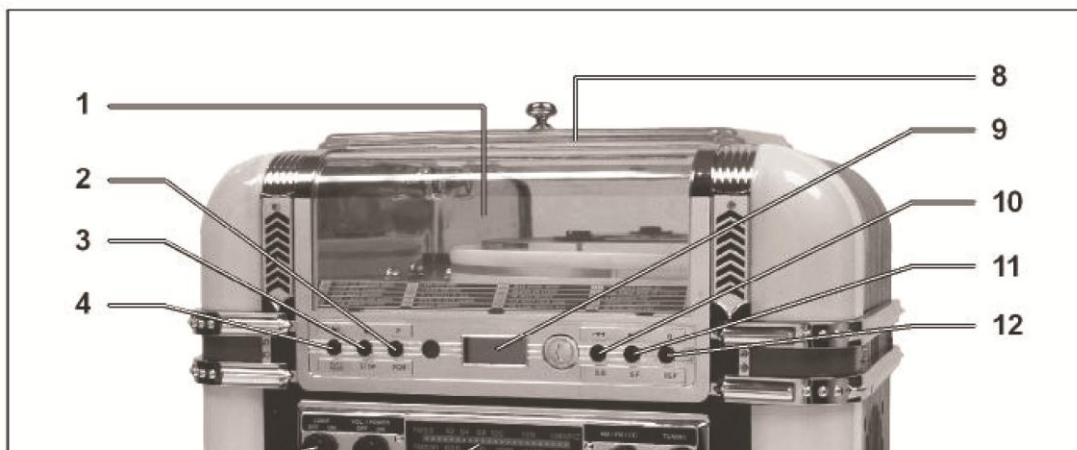
- 22. Pièces de remplacement – Lorsque des pièces de remplacement sont nécessaires, assurez-vous que le technicien d'entretien a utilisé les pièces spécifiées par le fabricant ou des pièces ayant les mêmes caractéristiques que les pièces originales. Un remplacement non autorisé peut provoquer des incendies, chocs électriques ou autres dangers.
- 23. Vérifications de sécurité – Après achèvement de tout entretien ou réparation sur cet appareil, demandez au technicien qui a effectué l'entretien de procéder aux vérifications de sécurité pour s'assurer que le produit est en bonne condition pour l'utilisation.
- 24. Fixation au mur ou au plafond – l'appareil ne doit être fixé à un mur ou un plafond que de la manière spécifiée par le fabricant.
- 25. Chaleur – L'appareil doit être placé à distance de sources de chaleur telles que des radiateurs, grilles de chauffage, fours ou autres éléments (y compris des hauts parleurs) qui produisent de la chaleur.

FRANÇAIS -

2



E
 1
 2
 3
 4
 5
 6
 7
 8
 9
 1
 1
 1
 1
 1
 1



OPERATIONS DE BASE

1. Tournez le bouton VOLUME/POWER dans le sens des aiguilles d'une montre pour allumer l'appareil.
2. Ouvrez la porte à CD sur le dessus de l'appareil pour insérer un disque dans la platine puis fermez la porte à CD.*(Assurez-vous que la porte à CD est correctement fermée.)
3. Faites tourner le sélecteur de mode sur CD.
4. Ajustez le niveau sonore avec le bouton de volume.
5. Appuyez sur S.F. (SKIP FORWARD) pour avancer jusqu'à la piste suivante.
6. Appuyez sur S.B. (SKIP BACKWARD) pour reculer à la piste précédente.
7. Appuyez sur le bouton PLAY/PAUSE pour mettre le CD en route, appuyez deux fois pour arrêter temporairement la lecture du disque sur la piste actuelle. Appuyez à nouveau sur le bouton pour reprendre la lecture et arrêter le mode pause.
8. Appuyez sur le bouton STOP pour arrêter la lecture du disque.

REMARQUES

- ***Si le disque est très rayé ou trop sale, la lecture peut n pas se faire.***
- ***Si un disque qui n'est pas correctement centré est lu, du bruit se fait entendre dans le mécanisme. L'utilisation de tels disques doit être évitée.***
- ***Ne penchez pas l'appareil lorsque des disques y sont chargés. Cela pourrait provoquer des dysfonctionnements.***

LECTURE REPETÉE

1. Appuyez une fois sur le bouton REP pour répéter une piste du disque.
2. Appuyez deux fois sur le bouton REP pour répéter toutes les pistes du disque.
3. Appuyez une fois de plus sur le bouton arrête le mode répétition.

LECTURE PROGRAMMÉE

1. Appuyez sur le bouton STOP.
2. Appuyez sur le bouton PGM.
3. Sélectionnez un numéro de piste puis appuyez à nouveau sur le bouton PGM.
4. Répétez l'étape 3 jusqu'à ce que les pistes souhaitées soient programmées.
5. Appuyez sur le bouton PLAY/PAUSE pour lire le disque.

ECOUTER LA RADIO

1. Placez le sélecteur de MODE sur FM ou AM
2. Ajustez le niveau sonore avec le bouton VOLUME/POWER.
3. Trouver la station radio désirée à l'aide du bouton TUNING.
4. Pour arrêter la radio, faites tourner le bouton VOLUME/POWER dans le sens contraire des aiguilles d'une montre jusqu'à entendre un clic.

ENCLENCHEMENT DE LA LUMIERE

1. Faites tourner le bouton LIGHT dans le sens des aiguilles d'une montre pour allumer toutes les lumières.
2. Pour éteindre les lumières, tournez le bouton dans le sens contraire des aiguilles d'une montre.

MODE LUMIERE – PLACÉ SUR LE COUVERCLE ARRIERE (SI EQUIPÉ)

La couleur des lumières change au fil du temps des deux côtés du pilier lumineux. Passez en position HOLD pour qu'elle se fixe sur votre couleur préférée. Passer en position PLAY pour reprendre.

REMARQUE: *Les séquences de couleurs changeantes est contrôlée par circuit intégré. Il est normal que les lumières puissent s'éteindre lorsque le mode lumière est sur la position HOLD.*

CONNECTION AUXILIAIRE JACK “AUX IN” (SI EQUIPÉ)

1. Connectez votre propre lecteur (par ex. lecteur MP3 ou IPOD) aux prises “**AUX IN**” (située à l’arrière de l’appareil) à l’aide de prises stéréo et de rack détachable (emballés séparément).
2. Ajustez le bouton **ON / OFF** à côté de la prise jack sur la position ‘**ON**’.
3. Faites tourner le sélecteur de mode sur “**CD-AUX**”.
4. Ajustez le son avec le bouton **VOLUME** ou le contrôleur de volume de votre appareil.
5. Lorsqu’il passe à un autre mode, l’appareil continue de lire sans aucun son jusqu’à ce que le bouton **ON / OFF** soit ajusté sur la position ‘**OFF**’ et que lecteur soit débranché.

REMARQUE IMPORTANTE :

1. Lorsque vous n’utilisez pas la prise auxiliaire jack, ajuster le bouton **ON / OFF** sur la position ‘**OFF**’.

La fonction CD reprendra normalement une fois que le bouton **ON / OFF** ait été ajusté sur la position ‘**OFF**’.

GUIDE DE RESOLUTION DES PROBLEMES

Les vérifications suivantes vous aideront à la résolution de la plupart des problèmes que vous pourrez rencontrer avec votre équipement. Avant de parcourir la liste des vérifications ci-dessous, vérifiez d'abord le point suivant.

****Le cordon d'alimentation doit être fermement branché.**

Si un problème devait persister après que vous ayez effectué ces vérifications, consultez votre revendeur le plus proche.

Problème	Causes Possibles (et Solutions)
Réception Radio	
Pas de radio	Le bouton de fonction n'est pas sur la bonne position. Ajustez le bouton de VOLUME. Tournez le bouton TUNING pour trouver une
Utilisation du lecteur CD	
La lecture du disque ne commence pas.	Rechargez le disque avec l'étiquette sur le dessus. Nettoyez le disque.
Le son saute	Changez l'emplacement de l'appareil.
La lecture programmée du disque ne fonctionne pas	Appuyez sur le bouton STOP puis programmez les pistes. Appuyez sur le bouton PLAY
Utilisation des lumières	
Aucune lumière	Vérifiez le bouton ON/OFF de la lumière Vérifiez le mode d'allumage des lumières (sur le couvercle arrière)
Général	
L'appareil ne fonctionne pas	Le cordon d'alimentation CA n'est pas connecté à une prise. Vérifier que le cordon d'alimentation est fermement connecté. Tournez le bouton de démarrage de la position "OFF" à la position "ON".
Il n'y a pas de son	Tournez le VOLUME dans le sens des aiguilles d'une montre.
Bourdonnement fort ou bruit	La télévision ou le lecteur DVD est trop près du système stéréo. Ecartez du téléviseur ou lecteur DVD.

***CES INSTRUCTION D'UTILISATION REFLETENT LES SPECIFICATIONS TECHNIQUES EN VIGUEUR AU MOMENT DE L'IMPRESSION. NOUS NOUS RESERVONS LE DROIT DE CHANGER CES SPECIFICATION POUR DES RAISONS TECHNIQUES SANS PREAVIS.

***VEUILLEZ VOUS REFERER À LA COTE À L'ARRIERE DE L'APPAREIL POUR DES SPECIFICTATIONS SUR LE PRODUIT.

FRANÇAIS -
6

SUPPORT CLIENTÈLE

Vous pouvez contacter le service client Ricatech si vous avez des questions ou si vous rencontrez un problème avec votre produit Ricatech. Vous pouvez nous contacter par téléphone et par e-mail.

E-mail

Pour un support clientèle par e-mail, veuillez envoyer votre e-mail à support@ricatech.com. N'oubliez pas de mentionner le numéro du modèle et le numéro de série du produit, vos nom et adresse, et posez votre question ou décrivez clairement votre problème.

Téléphone

Pour un support clientèle par téléphone, veuillez composer le +32 3 3265694. L'un de nos conseillers clientèle est là pour vous répondre. N'hésitez pas à visiter le site web www.ricatech.com pour connaître toutes les procédures.



Das Blitz-Symbol in einem gleichseitigen Dreieck dient dazu, dem Benutzer die Existenz nichtisolierter "gefährlicher Spannungen" im Innern des Gerätes anzuzeigen, die hoch genug sind, einen Stromschlag herbeizuführen.

Das Ausrufezeichen in einem gleichseitigen Dreieck dient dazu, den Benutzer auf wichtige Vorschriften für den Betrieb und die Wartung (den Kundendienst) in dieser Betriebsanleitung hinzuweisen.

WARNUNG:	UM DIE GEFAHR EINES STROMSCHLAGS ZU MINDERN, NEHMEN SIE NIE DIE ABDECKUNG ODER DIE RÜCKWAND AB. DAS GERÄT ENTHÄLT KEINE REPARATURFÄHIGEN TEILE. WENDEN SIE SICH IM REPARATURFALL AN QUALIFIZIERTES KUNDENDIENSTPERSONAL.
WARNUNG:	UM FEUER ODER DIE GEFAHR EINES STROMSCHLAGS ZU VERMEIDEN, SETZEN SIE DIESES GERÄT NICHT REGEN ODER HOHER LUFTFEUCHTIGKEIT AUS.
VORSICHT:	UM EINEN STROMSCHLAG ZU UNTERBINDEN, STECKEN SIE EINEN STECKER MIT BREITEN KONTAKTEN VOLLSTÄNDIG IN EINE ENTSPRECHENDE STECKDOSE. (NUR FÜR DIE USA UND KANADA)

Aufstellung des Gerätes

- Stellen Sie das Gerät nicht an Orten auf, wo es besonders heiß oder kalt, staubig oder feucht ist. Stellen Sie das
- Gerät auf einer flachen und ebenen Oberfläche auf.
- Unterbinden Sie die Durchströmung des Gerätes mit Luft nicht durch dessen Platzierung an Orten mit geringer Luftzirkulation oder durch dessen Abdeckung mit einem Stoff.

FCC-Information

Das Gerät ist Abschnitt 15 der FCC-Regeln unterworfen. **(NUR FÜR DIE USA)**

Der Gebrauch unterliegt folgenden zwei Auflagen:

- (1) Das Gerät darf keine gesundheitsschädlichen Beeinträchtigungen hervorrufen, und
- (2) das Gerät muss jedwede äußere Einflüsse schadlos hinnehmen können, inklusive von Beeinflussungen, die unerwünschtes Verhalten auslösen.

Sicherheit

- Wenn Sie das Wechselstromkabel anbringen oder abtrennen, fassen Sie das Kabel am Stecker an und nicht am Kabel selbst. Ziehen am Kabel kann dieses beschädigen und eine Gefährdung hervorrufen.
- Wenn Sie das Gerät für längere Zeit nicht benutzen, entfernen Sie das Stromkabel.

Luftfeuchtigkeit

- Wenn das Gerät an einem aufgeheizten Ort betrieben wird, wo es warm und feucht ist, kann Wasser kondensieren und können sich Wassertropfen im Innern des Gerätes bilden. Wenn Kondensation im Innern des Gerätes auftritt, kann das Gerät möglicherweise nicht mehr richtig funktionieren. Lassen Sie das Gerät für 1 bis 2 Stunden in Ruhe stehen, bevor Sie es wieder in Betrieb nehmen, oder wärmen Sie den Raum schrittweise auf und trocknen Sie das Gerät vor der Inbetriebnahme.

WARNUNG:

- **Sollte irgendein Defekt auftreten, entfernen Sie die Stromversorgung und wenden Sie sich an einen qualifizierten Techniker.**
- **Stellen Sie nichts direkt auf das Gerät. Das Gerät kann dadurch beschädigt werden.**

LASER-SICHERHEIT

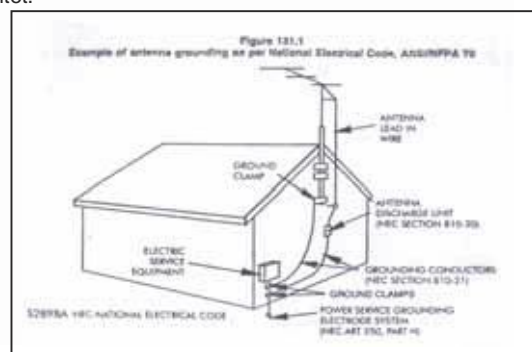
DIESES GERÄT VERWENDET EINEN LASER.

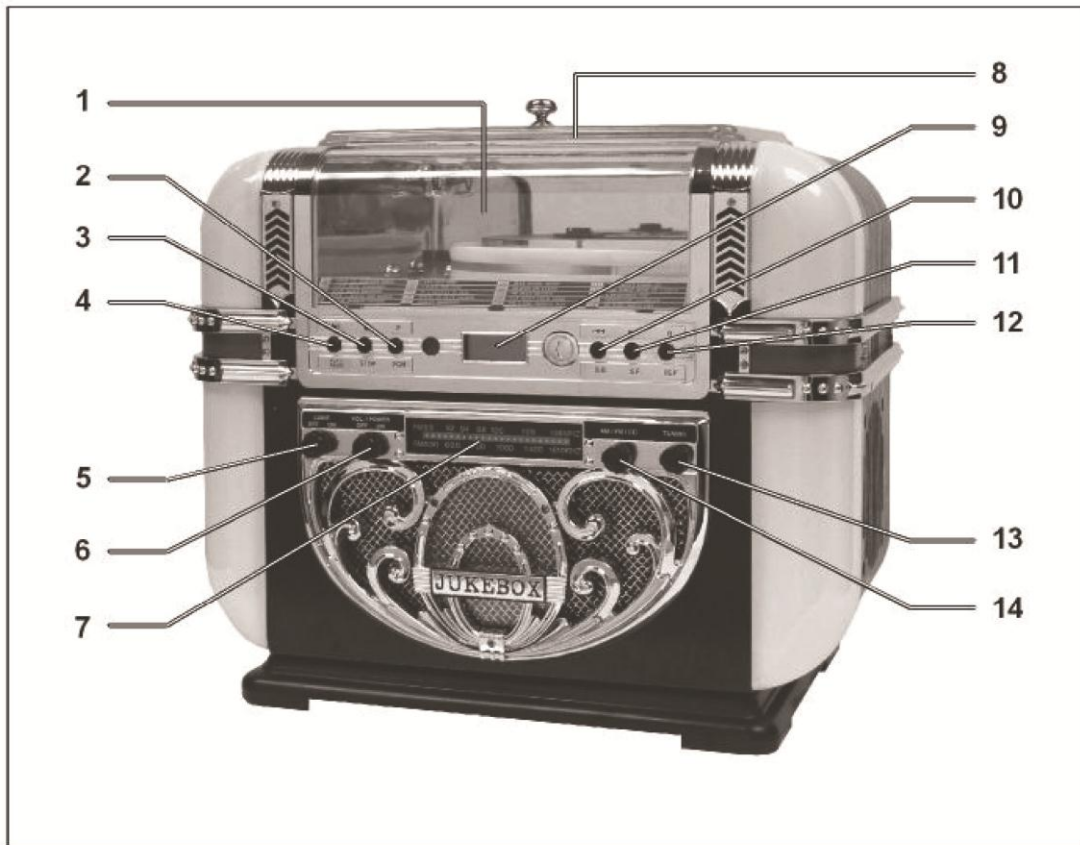
NUR QUALIFIZIERTES KUNDENDIENSTPERSONAL DARF WEGEN DER MÖGLICHEN VERLETZUNG DER AUGEN ZU REPARATURZWECKEN DIE ABDECKUNG ÖFFNEN.

VORSICHT: DIE VERWENDUNG JEDWEDER BEDIENUNGEN, EINSTELLUNGEN ODER HANDLUNGSWEISEN, DIE ANDERS ALS HIERIN BESCHRIEBEN SIND, KÖNNEN ZU GEFÄHRLICHER STRAHLENBELASTUNG FÜHREN.

WICHTIGE SICHERHEITSVORSCHRIFTEN

1. Hinweise lesen – Alle Sicherheits- und Betriebsvorschriften sind zu lesen, bevor das Gerät in Betrieb genommen wird.
2. Hinweise aufbewahren – Die Sicherheits- und Betriebsvorschriften sind zum späteren Nachschlagen aufzubewahren.
3. Warnungen beachten – Alle Warnungen auf dem Gerät und in den Betriebsvorschriften sind einzuhalten.
4. Vorschriften befolgen – Alle Betriebsvorschriften und Anweisungen an die Benutzer sind zu befolgen.
5. Reinigen – Trennen Sie das Gerät vor dessen Reinigung von der Steckdose. Verwenden Sie keine flüssigen Reinigungsmittel oder Reinigungssprays.
Verwenden Sie zur Reinigung einen feuchten Lappen.
6. Zusatzgeräte – Verwenden Sie keine Zusatzgeräte, die nicht vom Gerätehersteller empfohlen wurden, da sie möglicherweise Gefährdungen verursachen können.
7. Wasser und Feuchtigkeit – Verwenden Sie das Produkt nicht in der Nähe von Wasser – zum Beispiel nahe einer Badewanne, eines Waschbeckens, einer Küchenspüle oder eines Waschbottichs, in einem feuchten Keller oder nahe eines Swimmingpools und desgleichen.
8. Aufbau und Zubehör – Platzieren Sie dieses Produkt nicht auf einem unsicheren Wagen, Sockel, Stativ, einer solchen Halterung oder einem instabilen Tisch. Das Produkt kann herunterfallen, wobei sich ein Kind oder Erwachsener ernsthaft verletzen kann und das Produkt gravierend beschädigt werden kann. Verwenden Sie es nur auf einem vom Hersteller empfohlenen oder mit dem Gerät verkauften Wagen, Sockel, Stativ, einer solchen Halterung oder einem solchen Tisch. Jeder Aufbau hat nach den Herstellervorschriften unter Benutzung des vom Hersteller empfohlenen Montagezubehörs zu erfolgen.
9. Das Produkt ist in einem Wagen vorsichtig zu behandeln; starkes Bremsen, übermäßiges Gas geben und unebenes Gelände können dazu führen, dass das Produkt im Wagen umstürzt.
10. Belüftung – Im Gehäuse sind Schlitze und Öffnungen angebracht, um die Belüftung des Gerätes und den zuverlässigen Betrieb des Produktes zu gewährleisten und es vor Überhitzung zu schützen. Diese Öffnungen dürfen nicht blockiert oder verdeckt werden. Diese Öffnungen dürfen nie versperrt werden, wenn das Gerät in einem Bett, auf einem Sofa, einem Teppich oder jeder anderen ähnlichen Oberfläche verwendet wird. Dieses Produkt darf nicht irgendwo eingebaut werden, wie zum Beispiel in einem Bücherregal oder einer anderen Ablage, es sei denn es wird eine angemessene Luftzufuhr gewährleistet oder die Herstellervorschriften werden beachtet.
11. Stromversorgung – Dieses Produkt ist nur mit der auf dem Produktaufkleber angegebenen Netzspannung zu betreiben. Wenn Sie sich über die Netzspannung Ihres Hauses nicht sicher sind, wenden Sie sich an Ihren örtlichen Händler oder das für Sie zuständige Energieversorgungsunternehmen. Bei Produkten, die für den Betrieb mit Batterien oder anderen Stromquellen vorgesehen sind, beachten Sie deren Betriebsvorschriften.
12. Erdung oder Polarisierung – Diese Gerät ist möglicherweise mit einem polarisierten Wechselstromleistungsstecker (einem Stecker, der einen Pol breiter als die anderen ist) ausgestattet. Ein solcher Stecker kann nicht verkehrt herum in die Steckdose gesteckt werden. Das ist ein Sicherheitsmerkmal. Wenn Sie den Stecker nicht in die Steckdose bekommen, drehen Sie den Stecker um und versuchen Sie es erneut. Wenn Sie den Stecker jetzt immer noch nicht in die Steckdose bekommen, wenden Sie sich an Ihren Elektroinstallateur, um Ihre veraltete Steckdose zu ersetzen. Umgehen Sie nicht das Sicherheitsmerkmal des polarisierten Steckers. (NUR FÜR DIE USA UND KANADA)
13. Schutz des Stromkabels – Das Stromkabel ist so zu verlegen, dass man höchstwahrscheinlich nicht darauf treten kann oder es durch irgendwelche Gegenstände auf oder neben ihm eingeklemmt wird, richten Sie Ihre besondere Aufmerksamkeit auf das Kabel am Stecker, geeignete Wandsteckdosen und die Stelle, wo das Kabel aus dem Gerät herauskommt.
14. Schutzkontaktstecker – Das Gerät ist mit einem Schutzkontaktstecker mit Überlastschutz ausgestattet. Das ist ein Sicherheitsmerkmal. Beachten Sie deren Bedienungsanleitung beim Austausch oder der Wiederherstellung dieser Schutzvorrichtung. Wenn der Stecker ausgetauscht werden muss, vergewissern Sie sich, dass der Kundendiensttechniker einen vom Hersteller benannten Ersatzstecker verwendet hat, der den gleichen Überlastschutz aufweist wie der Originalstecker.
15. Erdung der Außenantennenanlage – Wenn das Gerät mit einer Außenantennenanlage oder mit einer Leitung Ihres Kabelanbieters verbunden ist, stellen Sie sicher, dass das Antennen- oder Kabelsystem geerdet ist, um einen ausreichenden Schutz vor Überspannungen und entstehenden statischen Aufladungen zu gewährleisten. Abschnitt S10 des NEC (National Electrical Code), ANSI/NFPA 70, liefert die notwendigen Informationen bezüglich der ordnungsgemäßen Erdung von Hochspannungsmasten und Stützkonstruktionen, der Erdung von Zuführungsleitungen zur Antennenverteilstation, der Dimensionierung von Schutzleitern, der Anordnung der Antennenverteilstation, des Anschlusses an Erdungselektroden und der Anforderungen an die Erdungselektrode. Siehe Abbildung 131.1.
16. Blitzschlag – Zum zusätzlichen Schutz des Produktes vor einem Blitzschlag oder bei Nichtaufsicht und Nichtgebrauch über einen längeren Zeitraum ziehen Sie das Stromkabel des Gerätes aus der Steckdose und trennen Sie das Antennenkabel oder die Leitung Ihres Kabelanschlusses ab. Das schützt das Gerät vor Zerstörung durch Blitzschlag und Überspannungen im Stromnetz.
17. Hochspannungsleitungen – Das Außenantennensystem sollte sich nicht in der Nähe von oberirdischen Hochspannungsleitungen oder anderen Licht- oder Starkstromleitungen befinden oder dort, wo es in solche Hochspannungs- oder Starkstromleitungen fallen kann. Bei der Montage eines Außenantennensystems haben Sie sehr sorgfältig darauf zu achten, solche Hochspannungs- oder Starkstromleitungen nicht zu berühren, weil deren Berührung tödlich sein kann.
18. Überlastung – Überlasten Sie nicht die Steckdosen, die Verlängerungskabel oder die integrierten Wandsteckdosen, weil dadurch das Risiko eines Brand entsteht oder ein Stromschlag auftreten kann.
19. Eindringen von Gegenständen und Flüssigkeiten – Stecken Sie nie Gegenstände jeder Art durch die Öffnungen in dieses Produkt, weil sie möglicherweise gefährliche Spannungspunkte berühren oder Kurzschlüsse hervorrufen, was zu einem Brand oder Stromschlag führen kann. Lassen Sie nie Flüssigkeiten jeder Art über das Gerät laufen.
20. Wartung – Versuchen Sie nicht, dieses Produkt selbst instanzzusetzen, weil das Öffnen oder Entfernen der Abdeckungen Sie gefährlicher Spannung oder anderen Gefahren aussetzen kann. Überlassen Sie alle Wartungsarbeiten qualifiziertem Kundendienstpersonal.
21. Beschädigungen, die Wartungsarbeiten erforderlich machen – Trennen Sie das Gerät von der Steckdose und wenden Sie sich in folgenden Fällen an qualifiziertes Kundendienstpersonal:
 - a) Wenn das Stromkabel oder der Stecker beschädigt ist,
 - b) Wenn Flüssigkeiten in das Gerät gelaufen oder Gegenstände in das Gerät gefallen sind,
 - c) Wenn das Produkt Regen oder Wasser ausgesetzt war,
 - d) Wenn das Gerät nicht ordnungsgemäß entsprechend der Betriebsvorschriften funktioniert. Nehmen Sie nur solche Bedienvorgänge vor, die in den Betriebsvorschriften erwähnt sind, weil unangemessene Bedienvorgänge zu Schäden führen können und oftmals aufwendige Arbeiten zur Wiederherstellung des Originalzustandes des Gerätes bedingen.
 - e) Wenn das Produkt heruntergefallen ist oder anderweitig beschädigt ist und
 - f) Wenn das Produkt eine spürbare Einbuße in seiner Leistungsfähigkeit aufweist – alles das macht Wartungsarbeiten erforderlich.
22. Ersatzteile – Wenn Ersatzteile notwendig sind, vergewissern Sie sich, dass der Kundendiensttechniker nur durch den Hersteller angegebene oder nach den Funktionsmerkmalen gleichwertige Ersatzteile verwendet hat. Nicht gleichwertige Ersatzteile können zu einem Brand, einem Stromschlag oder anderen Gefährdungen führen.
23. Sicherheitskontrolle – Nach der Beendigung jedweder Wartung oder Reparaturen dieses Produktes bitten Sie den Kundendiensttechniker um eine Sicherheitsüberprüfung des Gerätes zur Feststellung, ob es sich in einem einwandfreien Betriebszustand befindet.
24. Wand- oder Deckenmontage – Das Produkt ist nur nach den Herstellervorschriften an eine Wand oder Decke anzubringen.
25. Hitze – Das Produkt ist von Wärmequellen freizuhalten wie zum Beispiel von Heizkörpern, Heizregistern, Herden und anderen Produkten zur Wärmeübertragung (inklusive Verstärkern).





BEI

- | | |
|----|--|
| 1. | |
| 2. | |
| 3. | |
| 4. | PLAY/PAUSE-Taste |
| 5. | LIGHT-SWITCH-Knopf
(Lichtschalter) |
| 6. | VOLUME/POWER-Knopf
(Lautstärke/EA-Schalter) |
| 7. | FREQUENZSKALA |
| | 11. S.F.-(Vorwärts-)Taste |
| | 12. REPEAT-Taste
(Wiederholen) |
| | 13. TUNING-Knopf
(Senderabstimmung) |
| | 14. MODE-Selektor
(Wählschalter) |

GRUNDLEGENDE BEDIENUNG

1. Betätigen Sie den VOLUME/POWER-Schaltknopf im Uhrzeigersinn, um das Gerät einzuschalten.
2. Öffnen Sie den CD-EINSCHUB auf der Oberseite des Gerätes, um eine CD ins DISC-FACH einzulegen, und schließen Sie dann den CD-EINSCHUB .*(Vergewissern Sie sich, dass der CD-EINSCHUB ordnungsgemäß geschlossen ist.)
3. Wählen Sie mit dem MODE-Selektor die Betriebsart CD.
4. Stellen Sie die gewünschte Lautstärke mit dem Lautstärkeregler ein.
5. Drücken Sie die S.F.-(VORWÄRTS-)Taste, um zum nächsten Titel zu gelangen.
6. Drücken Sie die S.B.- (RÜCKWÄRTS-)Taste, um zum vorherigen Titel zu gelangen.
7. Drücken Sie die PLAY/PAUSE-Taste, um die CD abzuspielen, drücken Sie diese Taste zweimal, um die Wiedergabe an der aktuellen Position zu stoppen. Drücken Sie die Taste erneut, um die Wiedergabe an der aktuellen Position fortzusetzen.
8. Drücken Sie die STOP-Taste, um die CD-Wiedergabe anzuhalten.

HINWEISE

- ***Wenn die CD stark zerkratzt oder zu schmutzig ist, startet möglicherweise die CD-Wiedergabe nicht.***
- ***Wenn eine nicht ordnungsgemäß zentrierte CD abgespielt werden soll, sind Störgeräusche aus dem Mechanismus zu hören. Die Verwendung solcher CDs sollte vermieden werden.***
- ***Neigen Sie das Gerät nicht, wenn eine CD eingelegt ist. Das kann Funktionsstörungen hervorrufen.***

CD-WIEDERGABE WIEDERHOLEN

1. Drücken Sie die REP-Taste einmal, um den aktuellen Titel zu wiederholen.
2. Drücken Sie die REP-Taste zweimal, um die Wiedergabe aller Titel zu wiederholen.
3. Durch erneutes Drücken verlassen Sie das Wiederholungsmodus.

PROGRAMMIERTE CD-WIEDERGABE

1. Drücken Sie die STOP-Taste.
2. Drücken Sie die PGM-Taste.
3. Wählen Sie die Nummer des gewünschten Titels und drücken Sie die PGM-Taste erneut.
4. Wiederholen Sie den Schritt 3, bis alle gewünschten Titel programmiert sind.
5. Drücken Sie die PLAY/PAUSE-Taste, um die CD-Wiedergabe zu starten.

UM RADIO ZU HÖREN

1. Wählen Sie mit dem MODE-Selektor FM oder AM (UKW oder Mittelwelle).
2. Stellen Sie die gewünschte Lautstärke mit dem VOLUME/POWER-Schaltknopf ein.
3. Schalten Sie den gewünschten Radiosender mit dem TUNING-Knopf ein.
4. Um das Radio auszuschalten, betätigen Sie den VOLUME/POWER-Schaltknopf entgegen der Uhrzeigerrichtung, bis Sie ein Klicken hören.

LICHT EINSCHALTEN

1. Betätigen Sie den LIGHT-Knopf im Uhrzeigersinn, um das Licht einzuschalten.
2. Um das Licht auszuschalten, drehen Sie den LIGHT-Knopf entgegen dem Uhrzeigersinn.

LICHTMODUS – AUF DER RÜCKSEITE (FALLS VORHANDEN)

Die Lichtfarben wechseln in regelmäßigen Abständen an beiden Seiten der Lichtsäule, betätigen Sie HOLD, um die aktuelle Farbe festzuhalten und zu Ihrer bevorzugten Farbe zu machen.

Betätigen Sie PLAY, um fortzufahren.

HINWEIS: Die Wechselfolge der Lichtfarben wird durch einen IC-Baustein kontrolliert. Es ist normal, wenn das Licht erlischt, wenn sich der Lichtmodus in HOLD-Stellung befindet.

ZUSATZANSCHLUSS "AUX IN" (FALLS VORHANDEN)

1. Schließen Sie ein eigenes Gerät (z.B. MP3-Player oder IPOD) an den "**AUX IN**"-Anschluss (auf der Rückseite des Gerätes) mit dem Stereokabel und herausnehmbaren Gestell (als Zubehör enthalten) an.
2. Betätigen Sie den **ON/OFF**-Schalter am Gestell auf die Stellung '**ON**'.
3. Wählen Sie mit dem Umschalter die Betriebsart "**CD-AUX**".
4. Stellen Sie die gewünschte Lautstärke mit dem VOLUMEN-Knopf des Gerätes oder der Lautstärkeregelung des angeschlossenen Gerätes ein.
5. Wenn Sie eine andere Betriebsart wählen, wird das angeschlossene Gerät ohne hörbarem Sound weiterspielen, bis der ON/OFF -Schalter auf '**OFF**' geschaltet und das Gerät ausgeschaltet wird.

WICHTIGER HINWEIS:

1. Wenn Sie den Zusatzanschluss nicht benutzen, schalten Sie den **ON/OFF**-Schalter auf '**OFF**'. Die Wiedergabe von CDs wird nur auf Normal zurückkehren, wenn der **ON/OFF**-Schalter auf '**OFF**' geschaltet wurde.

FEHLERBEHEBUNG

Die folgenden Punkte werden Ihnen helfen, die meisten Probleme zu bewältigen, die beim Betrieb Ihres Gerätes auftreten können. Bevor Sie mit der Checkliste unten fortfahren, überprüfen Sie zuerst die folgenden Punkte.

****Das Stromkabel muss fest angeschlossen sein.**

Sollte irgendein Problem noch nicht behoben sein, nachdem Sie die Checkliste abgearbeitet haben, setzen Sie sich mit Ihrem Händler in Verbindung.

Fehler	Mögliche Ursachen und deren Behebung
Radioempfang	
Kein Empfang	Der Funktionsschalter ist nicht korrekt eingestellt. Stellen Sie die Lautstärke ein.
Funktionsweise des CD-Players	
Das Abspielen der CD startet nicht.	Laden Sie die CD mit der beschrifteten Seite nach oben erneut. Reinigen Sie die CD.
Tonaussetzer	Wechseln Sie den Aufstellort des Gerätes.
Die programmierte CD-Wiedergabe funktioniert nicht.	Drücken Sie die STOP-Taste, wiederholen Sie die Titelprogrammierung. Drücken Sie die PLAY-Taste.
Funktionsweise des Lichtes	
Kein Licht	Überprüfen Sie den Lichtschalter. Überprüfen Sie den Lichtmodussschalter (auf der Rückseite).
Allgemein	
Das Gerät funktioniert nicht.	Das Wechselstromkabel ist nicht an das Gerät angeschlossen. Überprüfen Sie, ob das Stromkabel fest angeschlossen ist. Schalten Sie das Gerät mit dem Einschalter von "OFF" auf "ON".
Kein Ton hörbar	Drehen Sie die Lautstärke im Uhrzeigersinn auf.
Starkes Brummen oder Rauschen	Das Stereosystem befindet sich zu nah an einem Fernsehgerät oder Videorekorder. Stellen Sie es etwas weiter entfernt auf.

***DIESE BEDIENUNGSANLEITUNG GIBT DEN AKTUELLEN TECHNISCHEN STAND ZUM ZEITPUNKT DER DRUCKLEGUNG WIEDER. WIR BEHALTEN UNS DAS RECHT VOR, DIE TECHNISCHEN SPEZIFIKATIONEN OHNE VORHERIGE ANKÜNDIGUNG ZU ÄNDERN.

***BEACHTEN SIE DEN PRODUKTAUFKLEBER AUF DER RÜCKSEITE DES GERÄTES FÜR DESSEN TECHNISCHEN SPEZIFIKATIONEN.

DEUTSCH - 6

KUNDENDIENST

Sie können sich an den Ricatech-Kundendienst wenden, falls Sie eine Frage haben oder ein Problem mit Ihrem Ricatech-Produkt. Sie können uns per Telefon oder E-Mail erreichen.

E-Mail

Für den Kundendienst per E-Mail, senden Sie eine E-Mail an support@ricatech.com. Bitte stellen Sie sicher, dass Sie darin die Gerätenummer und Seriennummer des Produktes sowie Ihren Namen und Ihre Adresse angeben und Ihre Frage oder Ihr Problem genau beschreiben.

Telefon

Für den Kundendienst per Telefon, wählen Sie bitte die +32 3 3265694. Einer unserer Mitarbeiter wird Ihnen gern behilflich sein.

Für das genaue Vorgehen, wenden Sie sich bitte an unsere Website unter: www.ricatech.com